

HORIZON
NEW ZEALAND



Fuelled by innovation.

HEAT & GLO

No one builds a better fire

HEAT & GLO

Heat & Glo is fuelled by innovation and driven to prove "No One Builds A Better Fire." The brand was founded in 1975 in a small Minnesota garage by brothers Ron and Dan Shimek. In 1987, Heat & Glo introduced Balanced Flue technology—forever changing the way fireplaces function.

Much has changed since the beginning. Yet much remains the same. One part innovation. One part application. With an eye toward design and innovative technologies, Heat & Glo continues on an endless pursuit; pushing the boundaries of where fire can go and how it can look.



BALANCED FLUE
GAS TECHNOLOGY



ADVANCED
IGNITION



ZERO CLEARANCE
INSTALLATION



REMOTE CONTROL



FLEX HEAT
TECHNOLOGY

MEZZO

You've never experienced modern design like this. Clean. Discreet. Luxurious. In 3 sizes, with a see-through model also available. Define your design with a variety of finishing options. We spared nothing, to give you everything. It's modern design, redefined.

Details matter. Every corner, every edge and every element of the MEZZO is all about perfection. Flames, lights, reflections and warmth combine to elevate the senses. A black glass interior adds depth and intensity to the fire. So captivating, we dare you to take your eyes off of it.

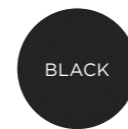


MEZZO OPTIONS

TRIM OPTIONS



TRIM FINISHES



BLACK



BRUSHED
NICKEL



FLEX HEAT REGISTER

Redirect the warmth with a flex heat distribution system, ending in this sleek and discreet vent register.

MODEL	GLASS SIZE	MAX INPUT mJh		EFFICIENCY	MAX kWh OUTPUT
MEZZO 1000	908 x 318	N - 32	L - 30	77%	N 6.8 L 6.5
MEZZO 1300 (ST)	1207 x 318	N - 42	L - 38	74%	N 8.7 L 7.8
MEZZO 1600	1511 x 318	N - 53	L - 43	76%	N 11.1 L 9.1

SLR-X

Warmth, ambiance and chic contemporary detail. An experience only the SLR-X can provide. A linear design and long ribbon flame form a broad, hypnotic firescape. Several finishing options create a fundamentally modern look for any space while a standard fan circulates the heat.

Reap the benefits of form and function. Clean lines and elegant ambiance never go out of style. Create a mood so cool, it's hot. A reflective glass liner radiates the fire and intensifies the flame.

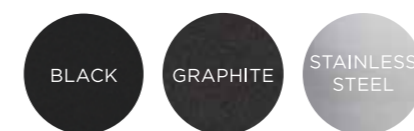


SLR-X OPTIONS

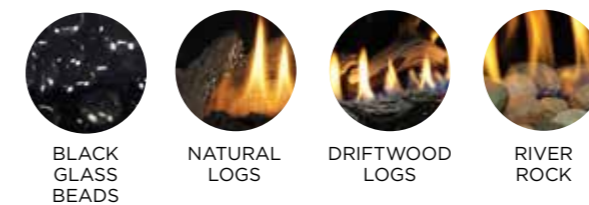
TRIM OPTIONS



TRIM FINISHES



INTERIOR OPTIONS



SEE THROUGH

Connect two spaces with authentic warmth and ambiance. Multiple finishing combinations and flexible venting options offer an array of See-Through installations. Enjoy the power of fire in dramatic new ways.



3X

With its slim profile the 3X model fireplace offers a variety of installation possibilities with innovative venting options. Featuring a stunning high definition log set and LED ember accent lighting the 3X is a compact and versatile heater that will suit any living space.

Utilizing only a 21mj gas input, the 3X is the ultimate economiser and is ideal for apartments, hotels, homes, townhouses, office reception areas, boardrooms, where conventional chimneys cannot be constructed.

FEATURES

- High definition log set
- LED ember accent lighting
- 3 speed fan for powerful convection heating
- Intellifire remote for flame height, fan speed and LED light functions
- Optional glass liners for a deeper firebox appearance.
- Top or rear balanced flue venting for versatile installation
- Zero clearance installation
- Available on natural or LPG gas





5X

Classic sleek lines and an impressive flame, the 5X model fireplace has become a household favourite.

Similar to its smaller 3X counterpart the 5X model offers the same stunning aesthetic but in a bolder more powerful chassis.

Available with two front options, the Firescreen front for that classic look or the Clean Face front for a discreet flush appearance the 5X model offers a timeless aesthetic.

FEATURES

- Two front options, Firescreen or Clean Face
- High definition log set
- LED ember accent lighting
- 3 speed fan for powerful convection heating
- Intellifire remote for flame height, fan speed and LED light functions
- Optional glass liners for a deeper firebox appearance.
- Top or rear balanced flue venting for versatile installation
- Zero clearance installation
- Available on natural or LPG gas

FRONT OPTIONS (REQUIRED)



FIRESCREEN FRONT



CLEAN FACE FRONT



5X SHOWN WITH CLEAN FACE FRONT

6X

The 6X model is the latest incarnation of Heat & Glo's original flagship fireplace and is the standard bearer for the X Series range.

Offering the same sleek design as the 3X & 5X models the 6X has all their additional extras included as standard as well as a high spec anti reflective glass giving you no reflection, all fire.

FEATURES

- Anti-reflective ceramic glass gives the appearance of an open fire
- Two front options, Firescreen or Clean Face
- High definition log set
- LED ember accent lighting
- 3 speed fan for powerful convection heating
- Intellifire remote for flame height, fan speed and LED light functions
- Glass liners for a deeper firebox appearance offered as standard
- Top or rear balanced flue venting for versatile installation
- Zero clearance installation
- Available on natural or LPG gas

FRONT OPTIONS (REQUIRED)



FIRESCREEN FRONT
AVAILABLE IN BLACK ONLY



CLEAN FACE FRONT
AVAILABLE IN BLACK ONLY

X-SERIES FREESTANDER

Our Heat & Glo 3X & 5X models are now available in a compact, efficient freestanding option.

Delivering all the key features of the Heat & Glo X-Series range, the freestanding models can be wall hung, floor or stand mounted making installation easy.

Providing more flexibility to suit a wide variety of living spaces, the X-Series Freestander range delivers premium style, performance and quality that set Heat & Glo fires apart.



MODEL	WIDTH	HEIGHT	DEPTH
3X	855	880	452

MODEL	WIDTH	HEIGHT	DEPTH
5X	931	930	452



I30-X INSERT

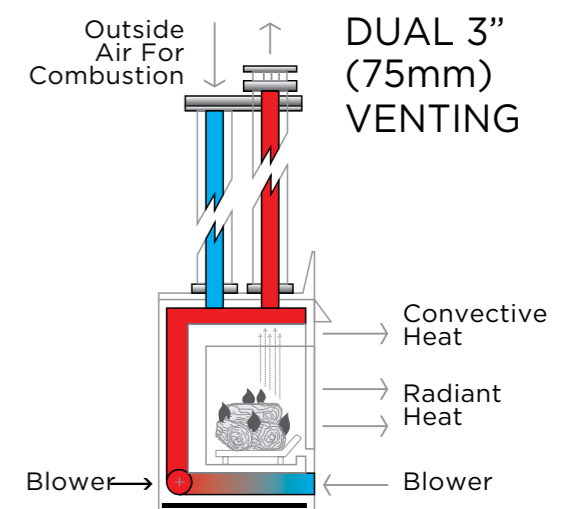
The ultimate insert for your existing fireplace, the i30-X features all the benefits of balanced flue technology and efficient space heating with a stunning high definition log set.

Dual flexi flues ensure a simple installation with one flue drawing air from outside for combustion and the other flue expelling the fumes.

This completely airtight fireplace allows for brilliant indoor air quality.

Choose from a range of décor finishing options including 3 & 4-sided black trims or a range of mantelpiece and fascia options to suit either a traditional or contemporary aesthetic.

The i30-X can also be built into brick or hebel as a new fireplace application.



Optional extras include:

- Ambient accent lighting
- Glass reflective liners
- Brick refractory liners

REQUIRES STAINLESS STEEL COWL

VRTIKL

Slender & sophisticated. At home uptown, downtown, and everywhere in between. Define your style with distinctive finishing combinations. The VRTIKL takes a whole new approach to functional modern design.



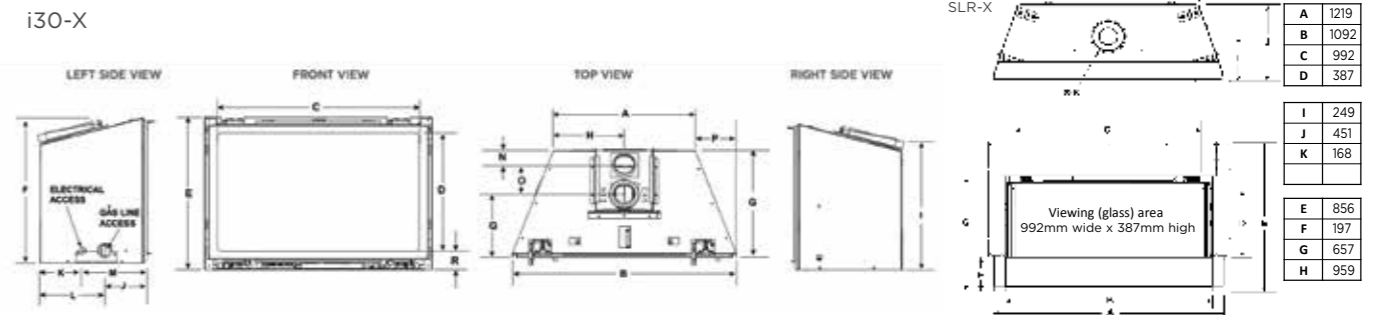
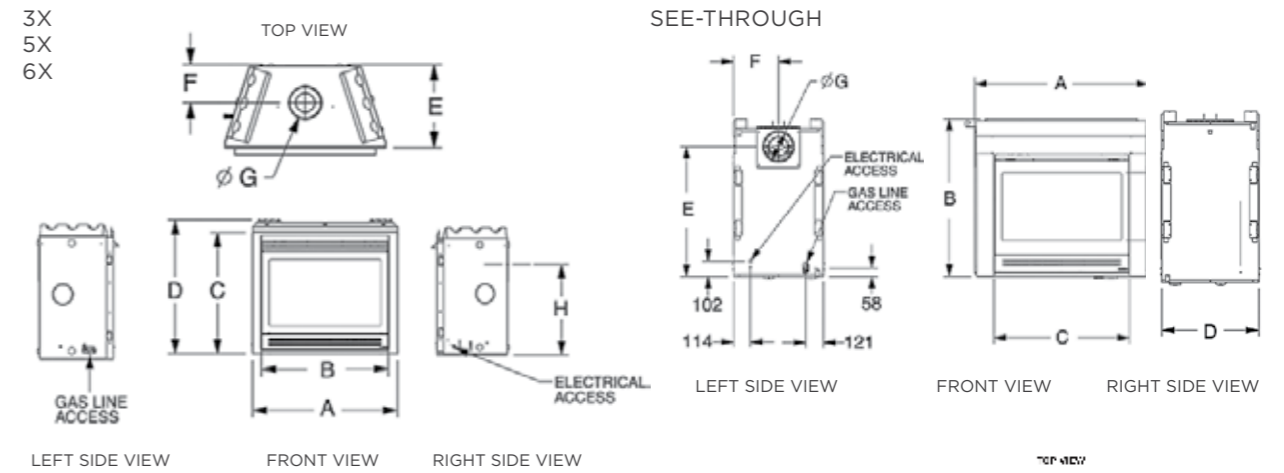
MODEL	WIDTH	HEIGHT	DEPTH	GLASS SIZE	MAX INPUT mJh	EFFICIENCY	MAX kWh OUTPUT
VRTIKL	479	1025	403	470 x 877	N - 27 L - 25	75%	N 5.6 L 5.2

Dimensions on the following page are in millimeters. Reference dimensions only. We recommend measuring individual units at installation. NOTE: Combustible material should not be installed over the face. Make sure you do NOT cover the decorative door opening. Refer to installation manual for detailed specifications on installing this product. Heat & Glo reserves the right to update units periodically. The flame and ember appearance may vary based on the type of fuel burned and the venting configuration used. Pictures in this brochure are not a true representation of the fireplace and/or flames.

SPECIFICATIONS

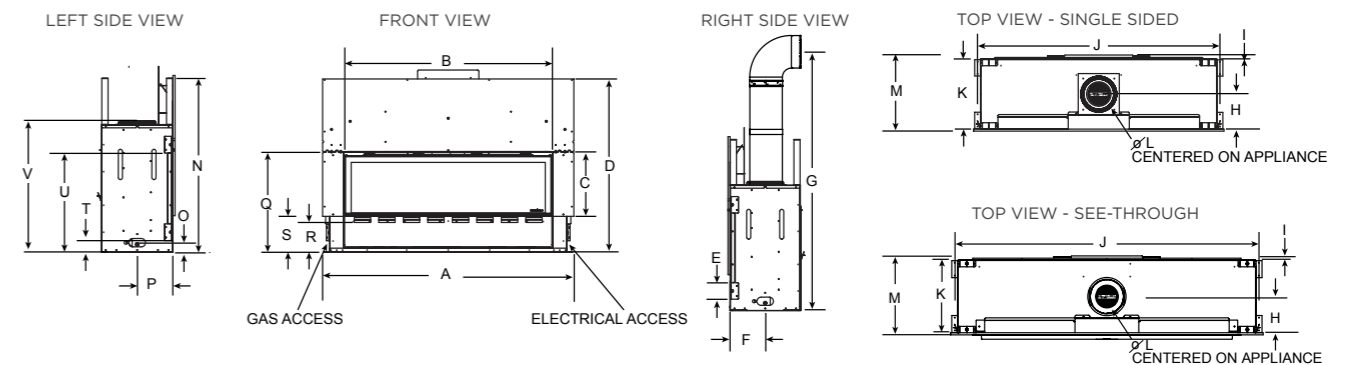
*Indicates height to top of hood

MODEL	A	B	C	D	E	F	G	H	VIEWING AREA	INPUT mJh	kWh OUTPUT	
3X	837	714	710*	827	414	191	168 top 203 rear	542	610 x 385	High Ng 21 Low Ng 15	High Lpg 20 Low Lpg 14	Ng 4.5 Lpg 4.3
5X	913	790	765*	877	414	191	168 top 203 rear	593	670 x 410	High Ng 28 Low Ng 20	High Lpg 26 Low Lpg 18	Ng 5.9 Lpg 5.5
6X	1041	918	851*	879	533	297	216	683	670 x 410	High Ng 42.2 Low Ng 29.5	High Ng 42.2 Low Lpg 29.5	Ng 9.5 Lpg 9.5
SEE-THROUGH	1183	1067	919	610	882	306	203	N/A	815 x 455	High Ng 44 Low Ng 30.8	High Lpg 43 Low Lpg 30	Ng 8.6 Lpg 8.4
SLR-X	See diagram for measurements								1100 x 310	High Ng 31.65 Low Ng 22.15	High Lpg 27.43 Low Lpg 19.20	Ng 7.5 Lpg 7.5
i30-X	See diagram for measurements								700x405	High Ng 32 Low Ng 22	High Lpg 31 Low Lpg 21	Ng 7.4 Lpg 7.4



MODEL	A	B	C	D	E	F	G	H	I	J	K	L	M	N	O	P	Q	R
i30-X	499	791	699	405	527	511	369	249	481	144	149	229	222	54	103	146	222	62

MODEL	A	B	C	D	E	F	G	H	I	J	K	L	M	N	O	P	Q	R	S	T	U	V
MEZZO 1000	1270	997	397	1080	102	217	1575	217	25	1173	435	203	471	1060	60	217	622	184	225	70	603	775
MEZZO 1300 (ST)	1575	1299	397	1080	102	217	1575	217	25(13)	1473	435	203	471(460)	1060	60	217	622	184	225	70	603	775
MEZZO 1600	1880	1603	397	1232	102	217	1575	217	25	1778	435	203	471	1213	60	217	622	184	225	70	603	775



NOTES



A large white rectangular area with a thin black border and a thick orange border, containing ten horizontal lines for writing notes.



Reliability | Innovation | Service | Quality

For the entire Horizon New Zealand range, visit your nearest showroom
www.horizonfires.co.nz | 09 525 0800

47 Remuera Road, Auckland 1050