


Jetmaster
Fireplaces Australia



Simply stunning.

HORIZON
FIREPLACES



Nothing completes your home quite like a Jetmaster fireplace, Australia's market leader in gas fireplaces and wood fireplaces. For over 30 years we have been committed to revolutionising gas fireplaces combining superior heat efficiency and beautiful design.

This is exemplified in the Horizon range that was introduced in 2005. These stunning decorative gas fires symbolise Jetmaster's commitment to offering the best in gas technology.

The Horizon Fireplace is now available with a Heat Zone kit. Turning this beautiful decorative fireplace into an effective and powerful heater.

A defining feature of the Horizon range is the floating burner, hidden controls and stylish slimline design. Plus a high gas input which means more flame, more glow and inviting radiant heat. The range comes in a choice of pebbles, logs or coal, with an amazing range of finishes.

CANTILEVER

The Horizon Cantilever features a low profile design, ensuring a stunning presence in your home.

Horizon fires with their power flue option can be installed into an apartment or home where a vertical flue is impossible to install. The Horizon Cantilever features a low profile design, ensuring a stunning presence in your home. It offers the

radiant glow and ambient warmth of a real fire. Cantilevered off the wall to create a stunning feature, the Cantilever 700 or 1100 logs, coal or pebble with its hidden gas control technology will make the perfect centrepiece fireplace feature.



FEATURES

- Iron bark log pebble or coal effects
- Hi flame contemporary burner
- Design can be modified to suit a range of design applications
- Three sizes available 700, 1100 and 1500
- Provides radiant warmth
- 55mj and 65mj gas input
- Electronic ignition
- Available in NG and LPG

LOW LINE INBUILT

A decorative slimline fire with a floating burner that produces beautiful radiant heat.

The Horizon Low Line Inbuilt gas fireplace features a floating burner, hidden controls and stylish slimline design. Featuring high gas input which means more flame, more glow and inviting radiant heat. While being a decorative fire it still does produce some radiant heat.

When fitted with the Heat Zone kit the Horizon Fireplace is an effective and powerful heater.

Available with stainless steel, black or painted fascia options and comes in the following sizes - 700, 850 & 1100 select from Pebbles, coals or Logs. 1500 and 2000 Select from pebbles or coals.



FEATURES

- Stunning new clean face design option
- Electronic ignition
- Attractive feature in your home
- 55mj gas input for 700 and 850
- 65mj input for 1100, 1500
- 72mj input for 2000
- Power flue option
- Available NG and LPG
- Custom sizing available
- Heat Zone kit available
- 100mm glass fender available

LOW LINE DOUBLE SIDED

With its radiant warmth, the double sided divides two rooms while keeping a refreshing open feel.

Enhance the ambiance and warmth of your home with the Horizon Lowline Double Sided open gas fire. Perfect as a stylish room divider with a chimney breast or exposed flue. It features sleek minimalist lines, a floating burner and large viewing area to give your decor an exciting, unique edge.

Primarily a decorative appliance providing radiant

warmth, the double sided fire is also a great way to divide two rooms whilst keeping a refreshing open feel. When fitted with the Heat Zone kit the Horizon Fireplace is an effective and powerful heater.

It comes in five sizes - 700, 850, 1100, 1500 and 2000, and pebbles can be alternated with coals.

FEATURES

- Stunning new clean face design option
- Electronic ignition
- Attractive feature in your home
- 55mj gas input for 700 and 850
- 65mj input for 1100,1500
- 72mj input for 2000
- Power flue option
- Available NG and LPG
- Custom sizing available
- Heat Zone kit available
- 100mm glass fender available

HORIZON 3 SIDED FIRE

A decorative slimline fire with a floating burner that produces beautiful radiant heat.

The Horizon 3 Sided fire provides for a stunning centrepiece to your room. With all the controls concealed, the high flame gas pebble or coal fire appears to float on the fireplace base.

The Horizon 3 Sided Fireplace is primarily a decorative fireplace but when fitted with the Heat Zone kit the Horizon Fireplace is an effective and powerful heater.

FEATURES

- Realistic looking pebbles or coals
- Radiant heat
- Heat Zone kit available
- Choice of colours
- Offers creative design possibilities
- 2 sizes available 1100 & 1500
- Available in NG and LPG
- Powerflue option
- 65mj of input
- Sealed glass on open end

HORIZON EDGE

The Edged fireplace is a stylish beauty with a flame that appears to float.

The Horizon Edge provides for a stunning centrepiece to your room. With all the controls concealed, the high flame gas pebble or coal fire appears to float on the fireplace base.

The Horizon 3 Sided Fireplace is primarily a decorative fireplace but when fitted with the Heat Zone kit the Horizon Fireplace is an effective and powerful heater.



FEATURES

- Realistic looking pebbles or coals
- Radiant heat
- Heat Zone kit available
- Choice of colours
- Offers creative design possibilities
- 2 sizes available 1100 & 1500
- Available in NG and LPG
- Powerflue option
- 65mj of input
- Sealed glass on open end

SPECIFICATIONS (Dimensions in millimeters)

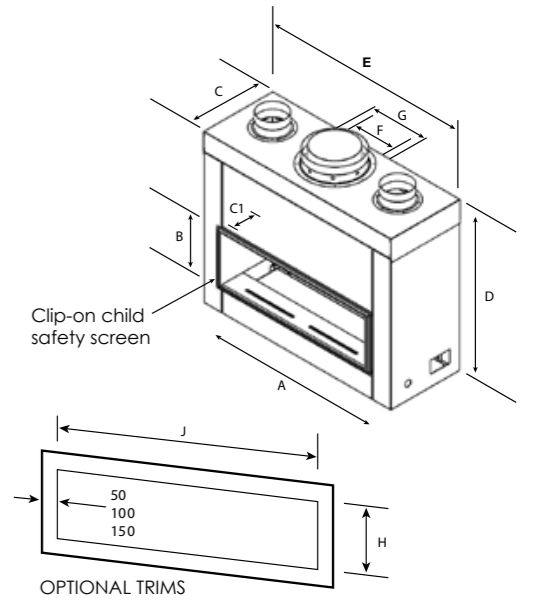
Lowline Single & Double Sider

Single Sided	A	B*	C	C1	D	E	F	G	H	J
700 LOW LINE	700	270	365	25	770	1000	178	225	282	720
850 LOW LINE	850	290	405	25	870	1095	225	275	282	870
1100 LOW LINE	1100	290	405	25	870	1345	225	275	282	1120
1500 LOW LINE	1500	290	435	25	1000	1746	250	300	282	1520
2000 LOW LINE	2000	290	435	25	1000	2246	250	300	224	2020

*Opening dimensions

Double Sided	A	B*	C	C1	D	E	F	G	H	J
700 LOW LINE	700	270	450	25	770	1000	250	300	282	720
850 LOW LINE	850	290	450	25	870	1095	250	300	282	870
1100 LOW LINE	1100	290	450	25	870	1345	250	300	282	1120
1500 LOW LINE	1500	290	435	38	1000	1746	300	350	282	1520
2000 LOW LINE	2000	290	435	38	1000	2246	300	350	224	2020

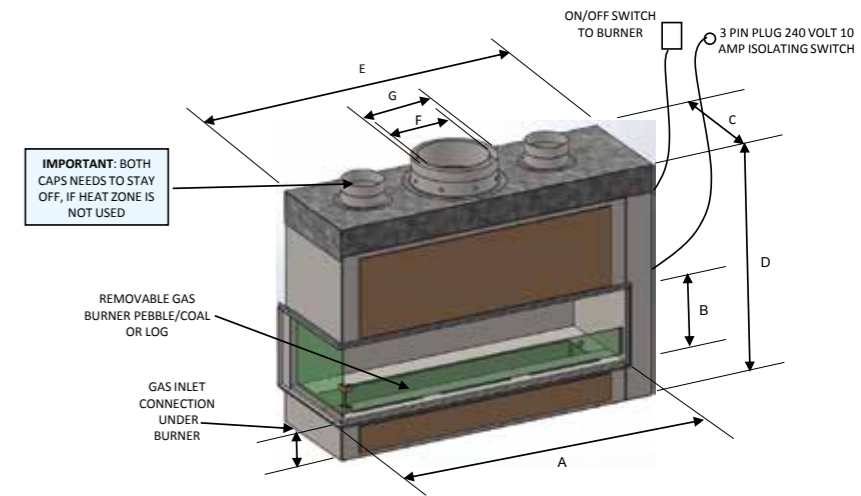
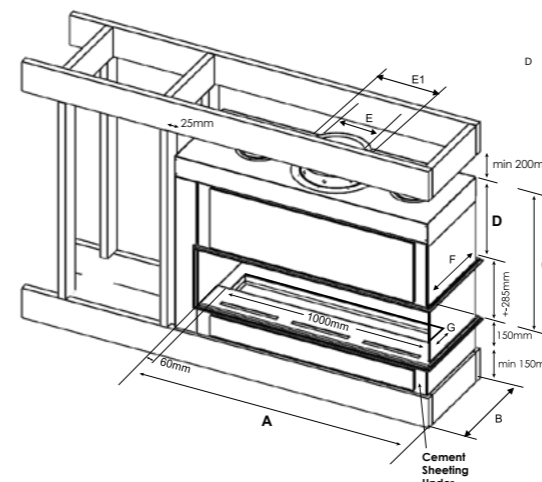
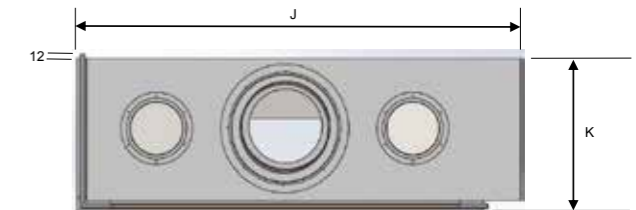
*Opening dimensions



3 Sided & Edge

3 Sided	A	B*	C	D	E	E1	F	G
1100 LOW LINE	1270	480*	870	435	254	304	450	135
1500 LOW LINE	1680	490*	1000	565	304	355	435	60

* Not including 10mm gyprock



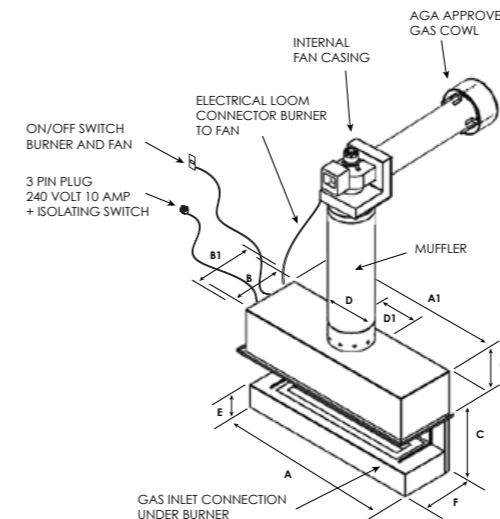
TWO SIDED EDGE WITH SIDE GLASS

TWO SIDED	A	B	C+	D	E	F	G	H	I	J	K
1100 EDGE	1165	290	405	870	1239	225	275	10	20	1269	435
1500 EDGE	1545	290	435	1000	1638	250	300	10	20	1668	465

+ BOX SIZE ONLY NOT INCLUDING LIP FRAME

Cantilever

CANTILEVER	A	A1*	B	B1	C	D	D1	E	F	G
CANTILEVER 700	1190	1270	440	478	455	225	275	175	405	336
CANTILEVER 1100	1420	1505	440	478	455	225	275	175	405	336
CANTILEVER 1500	1850	1930	440	480	458	254	304	175	405	336



NOTES

A large white rectangular area with a thin black border and a thick orange border, containing ten horizontal lines for writing notes.



Reliability | Innovation | Service | Quality

For the entire Jetmaster range, visit your nearest showroom
jetmaster.com.au | 1300 538 627

NSW - 55 Marrickville Road Marrickville 2204

QLD - 13 French Ave Brendale 4500

S.A - 40 Maple Ave Forestville 5035