

HORIZON
NEW ZEALAND



Entertain Alfresco.

HORIZON
FIREPLACES



PATIO HORIZON ISLAND

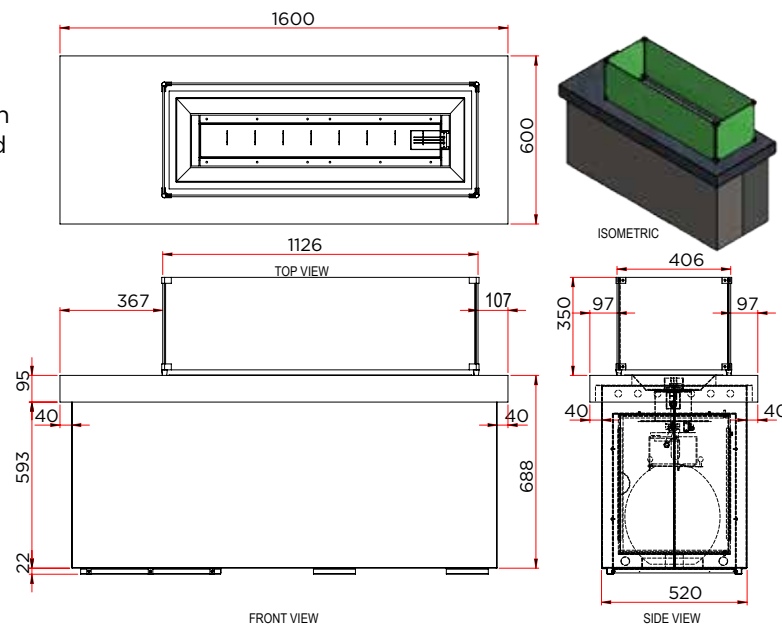
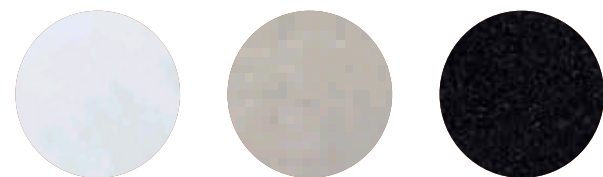
The Patio horizon Island is a stunning feature for any outdoor area. Its Rectangular crystal fire burners are made from high quality 304 stainless steel and includes tempered glass, with 4 different styles and colors to choose from and 1 drift wood log set option. It also comes with a contemporary lightweight concrete top.

The steel base can either be used as its own feature or you have the option to clad with any weather proof product.

FEATURES

- Weather proof 304 Stainless steel burner
- Natural or LPG gas
- Weather proof cement top
- Glass safety screen
- Outdoor use only
- 4 glass media options
- 1 driftwood log set option

TABLE TOP COLOURS



PATIO HORIZON ONYX

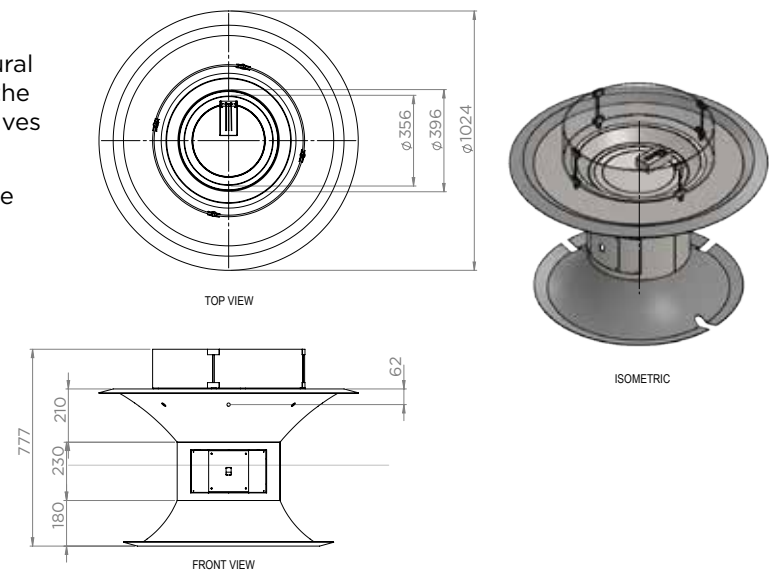
The Patio Horizon Onyx will be the center piece of you outdoor entertainment area, with its architectural design fully spun laser cut steel top and base and the amazing round 304 S/S fully welded burner that gives a spectacular flame and breathtaking radiant heat.

Choose from a range of media options to create the look that suits you.

FEATURES

- Weather proof 304 Stainless steel burner
- Natural or LPG gas
- Fully spun contemporary steel top and base
- Glass safety screen
- Outdoor use only
- 4 glass media options
- 1 driftwood log set option

MEDIA OPTIONS FOR HORIZON ISLAND, ONYX AND PANORAMIC





CRYSTAL FIRE BURNERS CUSTOM GAS FIRE PITS

Crystal Fire Burners are made from high quality stainless steel and include tempered glass gems and ignition controls. All standard burners are Australian Gas Approved for safety and quality. They work our line of fire pit tables or can be purchased separately for custom-built fire pits and projects.

Crystal Fire™ Burners run for up to 8 plus hours using 9kg propane tank or can be hooked up to a natural gas line. With just the push of a button, a beautiful clean-burning fire appears atop a bed of tempered glass fire gems.

FEATURES

- Available for Natural Gas and LPG
- 1 year warranty or ignition
- Limited Lifetime Warranty on stainless steel
- Electronic battery operated ignition, or 240 Volt
- Can be purchased individually to be used for custom-built projects
- Glass guard to enhance flame
- Includes: LP hose and regulator, metal flex hose, ball valve, push button sparker system
- Can be installed in open weather areas



DESCRIPTION	MODEL #	DEPTH	DIAMETER	WEIGHT	Mj/hr
20 Crystal Fire Burner	CF-20-LP-DIY	152mm	534mm	4.1kg	63

DESCRIPTION	MODEL #	DEPTH	WIDTH	LENGTH	WEIGHT	Mj/hr
12x42" Crystal Fire Burner	CF-1242-DIY	118mm	345mm	1086mm	5.5kg	63



PATIO HORIZON PANORAMIC

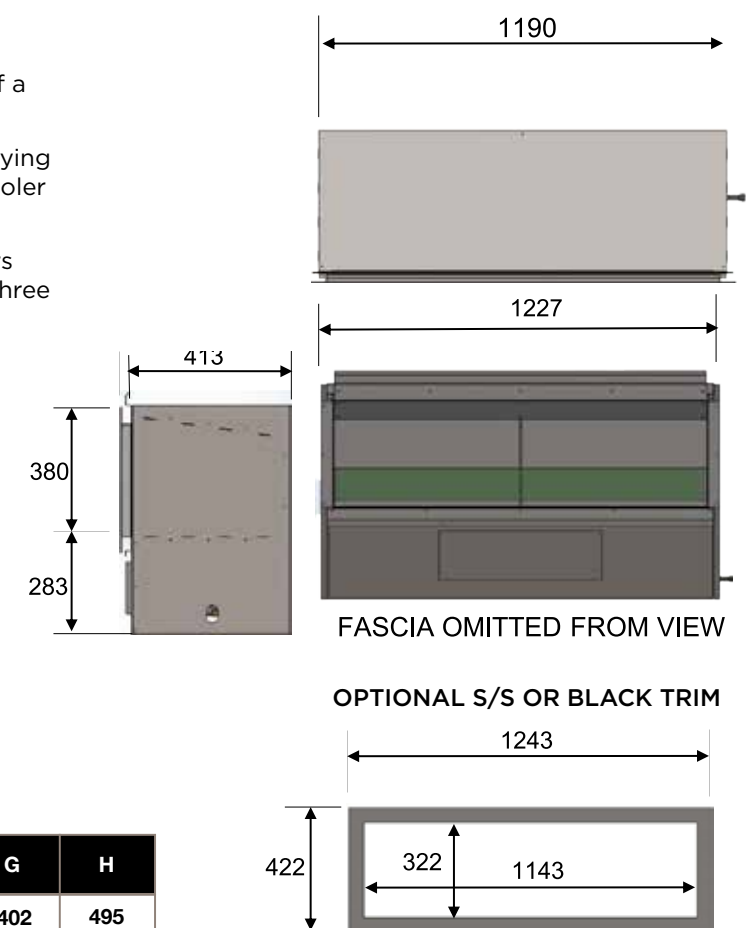
The Patio Horizon Outdoor gas fire will add an amazing feature to your outdoor space. No flue is necessary so it's easy to install, and with the flick of a switch, you can create a warm ambient setting.

Extend your outdoor entertainment season by enjoying the radiant heat and ambiance created on those cooler Autumn and Spring months

The Panoramic comes standard with porcelain liners this gives a mesmerizing reflection of flame on all three sides enhancing the already impressive flame.

FEATURES

- Natural and LPG gas
- Child safety screen (optional)
- Electronic Ignition Battery or 240 Volt
- Stainless seamless welded burner.
- Porcelain Lined
- Wall switch
- No flue required
- Outdoor use only
- 4 glass media options
- 1 driftwood option



A	B	C	D	E	F	G	H
1190	1227	513	441	230	111	402	495

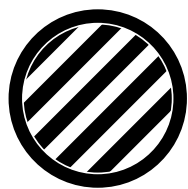


CONTRACTOR WOOD FIRED BBQ

The Contractor range of built in BBQ's will add a new dimension to your entertainment area around which friends and family can gather.

Usable as an outdoor fire as well as a BBQ, the timeless design will enhance your patio and easily blend with your outdoor entertainment living area.

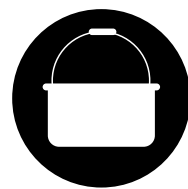
INCLUDES:



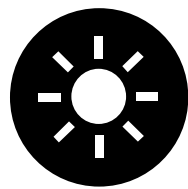
NICKEL
PLATED GRILL



CHARCOAL
STARTER
TRAY



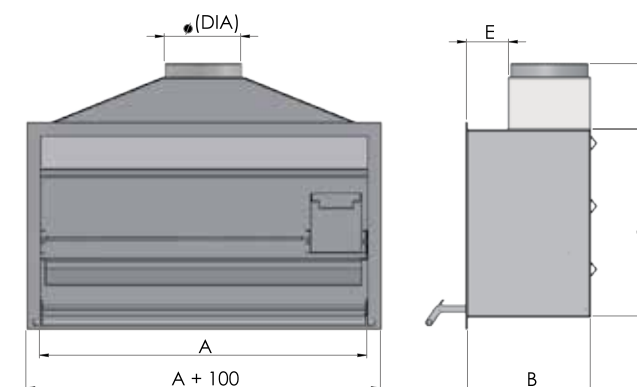
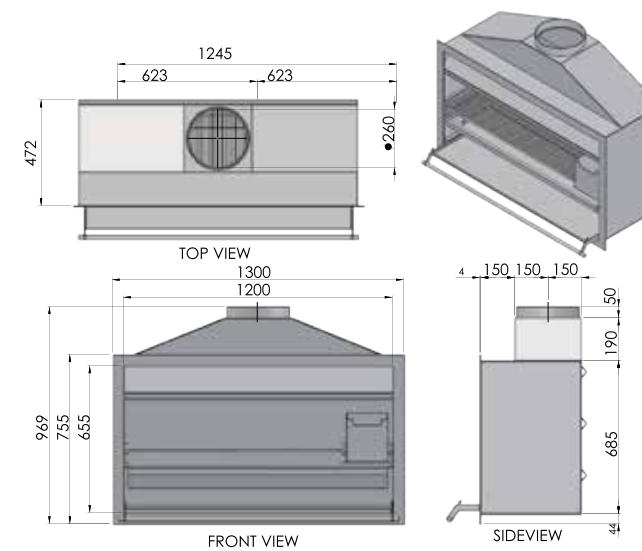
CAST IRON
STEWING
POT HOOK



LIGHT FITTING



SLIDING DOOR



MODEL	MEASUREMENT					FLUE SIZE
	A	B	C	D	E	DIA.
1000	1000	450	685	240	200	250
1200	1200	450	685	240	150	300

NOTES



A large white rectangular area with a thin black border and a thick orange border, containing ten horizontal lines for writing notes.



Reliability | Innovation | Service | Quality

For the entire Horizon New Zealand range, visit your nearest showroom
www.horizonfires.co.nz | 09 525 0800

47 Remuera Road, Auckland 1050