

SPECIFICATIONS:

NAME OF APPLIANCE: JETMASTER FEDERATION GAS FIRE 300
KEMPLAN FEDERATION GAS FIRE 300
AGNEWS FEDERATION GAS FIRE 300
MANUFACTURED BY: JETMASTER FIREPLACES AUSTRALIA PTY LTD

A.G.A CERTIFICATE: 5144

LABORATORY REPORT: 511284

GENERAL:**TYPE:**

The gas fire is a Type 1 Decorative Gas Coal Fire. It is designed to fit into an existing masonry fireplace or equivalent approved open fireplace. It has been specifically The gas fire is a Type designed to fit into a traditional federation cast iron grate. The gas fire consists of a burner tray, which is mounted on two supports to enable the burner to be at a suitable level when inserted into the cast iron grate.

CAPACITY

GAS	MODEL NO.	GAS CONS. mj/h min/max.	INJECTOR	GAS PRESSURE min/max. kPa
NATURAL	300 FED	18.1 mj/26.5	2.35mm	0.5pa/1.00
LPG	300 FED	19.5 mj/26.5	1.35mm	1.42Kpa/2.75

OVERALL DIMENSIONS: (see drawing supplied)

DIMENSIONS	300 Federation
WIDTH	274MM
HEIGHT	160MM + 60MM legs adjustable
DEPTH	105MM
WEIGHT	7.5KGS

MARKING: Data plate will be affixed to the left hand side of the unit. Other details i.e. name plates, lighting instructions and temporary labels will be affixed to the inside of the front cover plate.

CONSTRUCTION:**GENERAL:****300 FED**

The gas fire consists of a 1.6mm gauge folded mild steel tray forming the burner. The burner is supported by two 25mm bars of 110mm in length with 105mm base attached to two legs with adjustable round base supports. The burner tray measures 274mm width x 105mm depth. The controls are located below the burner tray just above

the level of the leg supports. The internal plate within the tray is 225mm wide x 80mm deep.

A cast iron venturi tapered mixing tube is welded to the base of the tray through which the gas is introduced. Gas is dispersed evenly around the burner by means of 2mm gauge mild steel deflector plate. Two bolt heads are welded to the base of the tray. A steel plate with two 10mm holes is inserted in to the upturned bolts and secured to the base with nuts. A gap of 5mm exists between the base of the burner and the plate.

GAS SYSTEM:

GAS INLET CONNECTION: Flared ½” inlet and is located on the right hand side of the gas grate 3/8 B.S.P. female for LPG>

REGULATOR: Bromic ½” x ½” BMWFIA, AGA. Approval number 5149

PIPING: Main supply pipe 5/16” (8mm) DIA from valve to burner steel, aluminium and flared fittings.

GAS CONTROL: Simploit ho. 500 017 valve approval No. 3531.

BURNER: Folded mild steel tray with deflector plate. A cast iron venturi tapered mixing tube is welded to the base through which gas is introduced. An injector is introduced into the venturi (see Data Plate and drawing for size).

Dimensions: Width 274mm Depth 105mm Height 160mm

PILOT TURN OFF VALVE: EFFIBI MINI BALL VALVE, AGA number 5301.

PILOT: S.I.T. Gas Controls oxy pilot assembly. Consists of electrode, thermocouple and pilot head.

Natural gas 29021

LPG 29213

PRESSURE TEST POINT: ¼: diameter nipple located behind the outlet of the gas valve.

CONVERSION DETAILS: Injector is incorporated in the venturi (see drawing supplied). Remove injectors by unscrewing nuts in venturi. Replace with injector specified on data plate. Remove gas regulator.

Note pressures on data plate for Natural and LP gas.

HEATING SYSTEM:

Ceramics: Coals are ceramic fibre coated with a black gauze and nalcoag 1030 colloidal silicate.

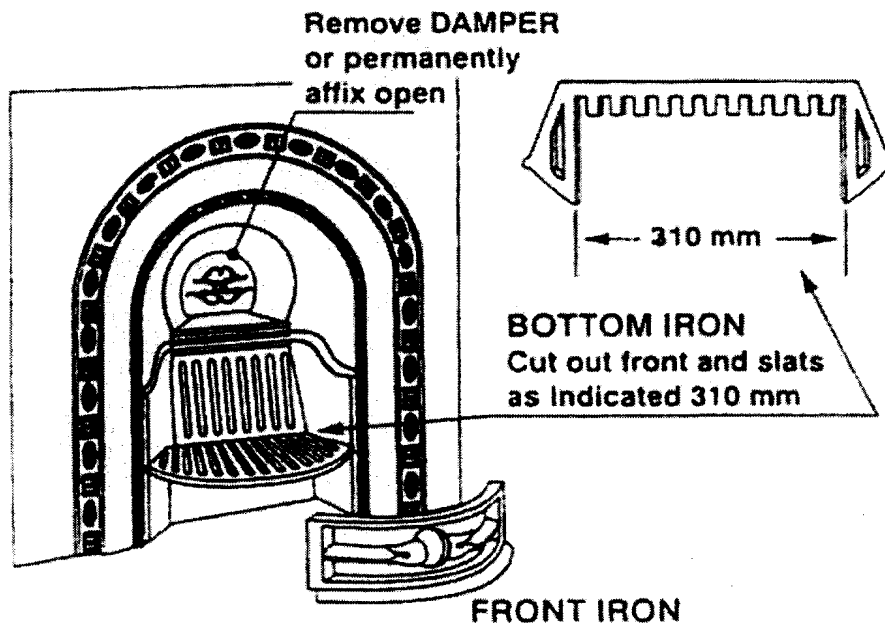
Coals measure approx 4-5cm cubed.
Twelve coals are supplied in each model.

Vermiculite: Is varied in size (grade4). Average size is approximately 3-5mm in diameter.
A measured bag (300mls approx) is supplied with each unit.

INSTALLATION INSTRUCTIONS FOR THE JETMASTER FEDERATION 300 GAS COAL TYPE 1 BURNER.

Jetmaster gas coals Federation 300 are fuel effect appliance intended for use in a fireplace suitable for the burning of wood.

It is recommended that the Jetmaster gas coal be placed in a properly installed cast iron federation grate suitable for burning of wood.



IMPORTANT:

Installation of this appliance should only be carried out by an authorised person in accordance with the manufacturers instructions. All relevant codes and regulations laid down by the gas supply authorities, uniform building regulations and the requirements of local municipal Authorities must be observed.

MODEL TYPE 1 DECORATIVE GAS COAL FIRE FEDERATION 300 SERIES.

Federation 300 gas coal fire.

DATA PLATE

Refer to data plate for information in respect of gas pressure, consumption and gas type, Natural or L.P.G. The data plate is located on a chain on the right hand leg support.

LOCATION REQUIREMENTS

1. The fireplace construction must be non-combustible and in accordance with the current Building Regulations for chimney and fireplace intended for solid fuel use.
2. The flue and/ or chimney should be tested and proven to have an adequate updraught which shall be sufficient to remove all waste products of combustion. A minimum cross-sectional area of 40 000 sq mm is required with a minimum chimney of flue height of 3.6 meters. The installer must satisfy himself that the fireplace is functioning properly with a proven draught and a smoke test is recommended.
3. In cases where a twin walled metal flue is used and provided such flue shall comply with the clearances specified in AS2918 or manufacturer instructions in respect of clearance to combustibles.
4. A space of 40mm between the side wall of the fireplace and grate is required.
5. In cases where a metal flue is used ,such flue shall comply with the standards relating to grade, quality and thickness as are current.
6. An approved flue cowl with a minimum cross-section of 40 000sq mm shall be affixed to the top of the flue or chimney.
7. The installer must remove or fix in an open position any damper which may be affixed to or contained in any fireplace.
8. It should be noted that the Code AS2286 (Space heating appliances-secondary guards) requires a dress guard to be affixed to the appliance or fireplace.
9. Ventilation- An opening to outside with a minimum free ventilation area of 400 sq centimeters, shall be provided for each decorative gas log fire.Note: The chimney in which the appliance is installed is not to be considered as a ventilation opening.
10. The appliance shall be installed into a fireplace with a minimum opening of 300mm width and 135mm depth and shall be no greater than 1050mm width and 400mm depth.

INSTALLATION:FITTING THE GAS GRATE

1. Check unit is suitable for intended gas supply.
2. The position of the gas control and inlet is on the right hand side and is 3/8"BSP female connection for L.P.G. gas.A 1/2" regulator is supplied when fitting to natural gas.The cock is accessible to turn off pilot.(It is recommended that the fireplace and chimney be cleaned prior to fitting the gas unit.)
3. Cut and debur both ends of pipe. Fit the end to the gas supply point and turn on for approximately 5 seconds to clear the pipe of any dirt or grit. Fit the other end to the gas unit.

4. The regulator supplied and attached to the appliance is for natural gas.
5. Place the vermiculite in the burner tray spreading it evenly so that it is level with the Sides of the burner tray. Never place the vermiculite any higher than sides of the tray.
6. Turn on the gas and check all connections for leaks using soapy water. Fix any leaks.

ADJUSTING PRESSURE, PILOT AND LOW FIRE

- 1.)All settings are set to operate at appropriate pressures(see data plate).Test point is located on gas valve.
- 2.)Check low fire if adjusted correctly.
- 3.)The pressure can be measured on the gas valve and the regulator adjusted to the appropriate pressure (see data plate affixed to the side of the appliance.)

LAYING THE FIRE

Unpack the coals contained in the clear plastic bag and lay a row of coals on the vermiculite along the back of the burner tray leaving approximately 12-15mm between them. Do not pack coals to the very edge of the burner. Leave space at the edges to allow free flow of gas. Place a further row of coals directly in front of the first row but staggered so that the second row of coals are behind the gaps of the first row leaving approximately 12-15mm between the rows of each coal. Lay further rows of staggered coals depending on the size of the basket grate. Once the bottom layer is completed, build up 2-3 tiers of coals in a honeycomb pattern to form an elongated pyramid. Lay the coals so that some irregularity to the pile through which the flame may lick, is created. Your aim is to build "windows into the fire through which the radiant effect may show but at the same time, not leaving such large gaps between the coals that excessive air may enter and "damp down" the red glow.

After the fire has been alight for 15 minutes, you may wish to add the odd coal or even relay the fire completely. Allow to cool before touching the coals. Experience will enable you to obtain a pleasing appearance with suitable heat output, but please bear in mind it is important to maintain the general pattern described above.

NOTE:

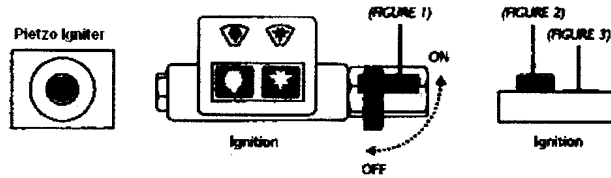
Use coals supplied by the manufacturer as other coals may effect combustion performance.

LIGHTING INSTRUCTIONS: (SEE DIAGRAM)

- A. Make sure gas cock is in the "on" position.

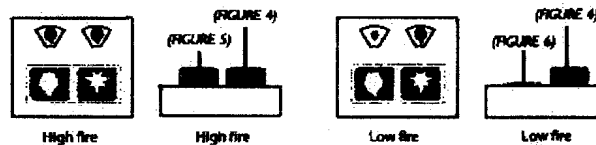
Lighting Instructions

PILOT IGNITION



1. To turn burner on stop cock needs to be in horizontal position. (FIGURE 1)
2. Ensure left hand button on control is fully extended before igniting (FIGURE 2) (a large flame should be showing in the window).
3. Depress right hand button (FIGURE 3) (which is the pilot) in and hold whilst either lighting manually with lighted match or depressing piezo. Lighter needs to be placed at pilot until burning. Hold button in for approximately 20 seconds then release. If pilot goes out repeat step 3.

BURNER IGNITION



1. The button on the right (FIGURE 4) controls the gas to the burner and the button on the left (FIGURE 5) controls either high or low settings.
2. With pilot only burning right hand button will be fully depressed. Push right hand button in and release button to a fully extended position and main burner will ignite.
3. Depress left hand button (FIGURE 6) for low setting. Small flame will appear in left hand window.

TURNING MAIN BURNER OFF



1. Depress right hand button (FIGURE 7) in from fully extended position to off position.

TURNING PILOT TO OFF POSITION

1. Turn stop cock from horizontal to vertical (FIGURE 1) to turn pilot off.

- B. Press the right hand control button(which is pilot) in and whilst lighting with a match or gas lighter, the pilot light located on the right hand side of burner. Continue to hold for approximately 20 seconds then release. Should the pilot light go out, repeat step B. It may be necessary to remove a few coals from around the pilot to allow access.
- C. Ensure left hand control button on control is fully extended before igniting.(A large flame should be showing on the window.)Press right hand button again, if required, so that a large flame is showing in the window.
- D. The button on the right controls the gas to the burner and the button on the left controls either high or low settings.
- E. If unable to get appliance to operate correctly, contact agent or manufacturer.

TURNING OF APPLIANCE

- 1.Press right hand control button in.
- 2.To turn off pilot turn gas cock to "off" position.

COMMISIONING PROCEDURE.

Installed correctly the burner should not emit any fumes into the room. The following procedures should be undertaken to test that the unit is operating correctly.

- 1.)After unit has been operating for a short period a smoke match, smoke tube, carbon dioxide analyser or similar should be directed at the top opening of the unit.
- 2.)This procedure should be undertaken with the following conditions in the room:

- *Open or closed windows
- *Operation of extraction/exhaust fans, range hoods etc.
- *Operation of other gas appliances.
- *Operation of optional appliance fan at any speed.

3.)Should any spillage be detected the cause must be rectified before allowing commissioning of unit.

USER INSTUCTIONS:

1.WARNING NOTE:

Properly installed and operated this appliance will not leak gases. Persistent fume emission must not be tolerated. If fume emission does exist, then the following immediate action should be taken:

- A. Open doors and windows to ventilate room.
- B. Turn the fire off.

- C. Check for flue blockage and clear if necessary.
 - D. Do not attempt to relight the burner until the cause of the emission has been identified and rectified. Should assistance or advice be required contact nearest agent.
 - E. The gas grate is recommended for use in a Jetmaster firebox which has been designed to ensure a proper draw and to eliminate emission spillage.
2. Initially the Jetmaster coal fire may burn with a slightly blue flame. After Approximately 20 minutes the fire will settle down and burn with a yellow flame.
 3. As with all gas appliances your gas coal fire should be regularly serviced. We Recommend once each year. Contact your nearest Jetmaster authorised agent to provide service. The routine for an authorised person to follow has been set out in attached leaflet.
 4. PLEASE NOTE: Only coals provided by Jetmaster should be used with this appliance.
 5. " DO NOT PLACE ARTICLES ON OR AGAINST THIS APPLIANCE.

DO NOT USE OR STORE FLAMMABLE MATERIALS NEAR THIS APPLIANCE.

DO NOT SPRAY AEROSOLS IN VICINITY OF THIS APPLIANCE WHILE IT IS IN OPERATION."

PRIMARILY A DECORATIVE APPLIANCE NOT CERTIFIED AS A SPACE HEATER.

WARRANTY

Provided the appliance has been correctly installed according to instructions, Jetmaster guarantee the cost of replacing parts and the labour in connection therewith for a period of 12 months from date of installation. Should the appliance be subject to a service contract the replacement of the parts and the service involved in such replacement shall be at no charge to the owner and the warranty shall be extended to 3 years (provided of course the appliance had been continuously serviced by an approved Jetmaster agent.)