

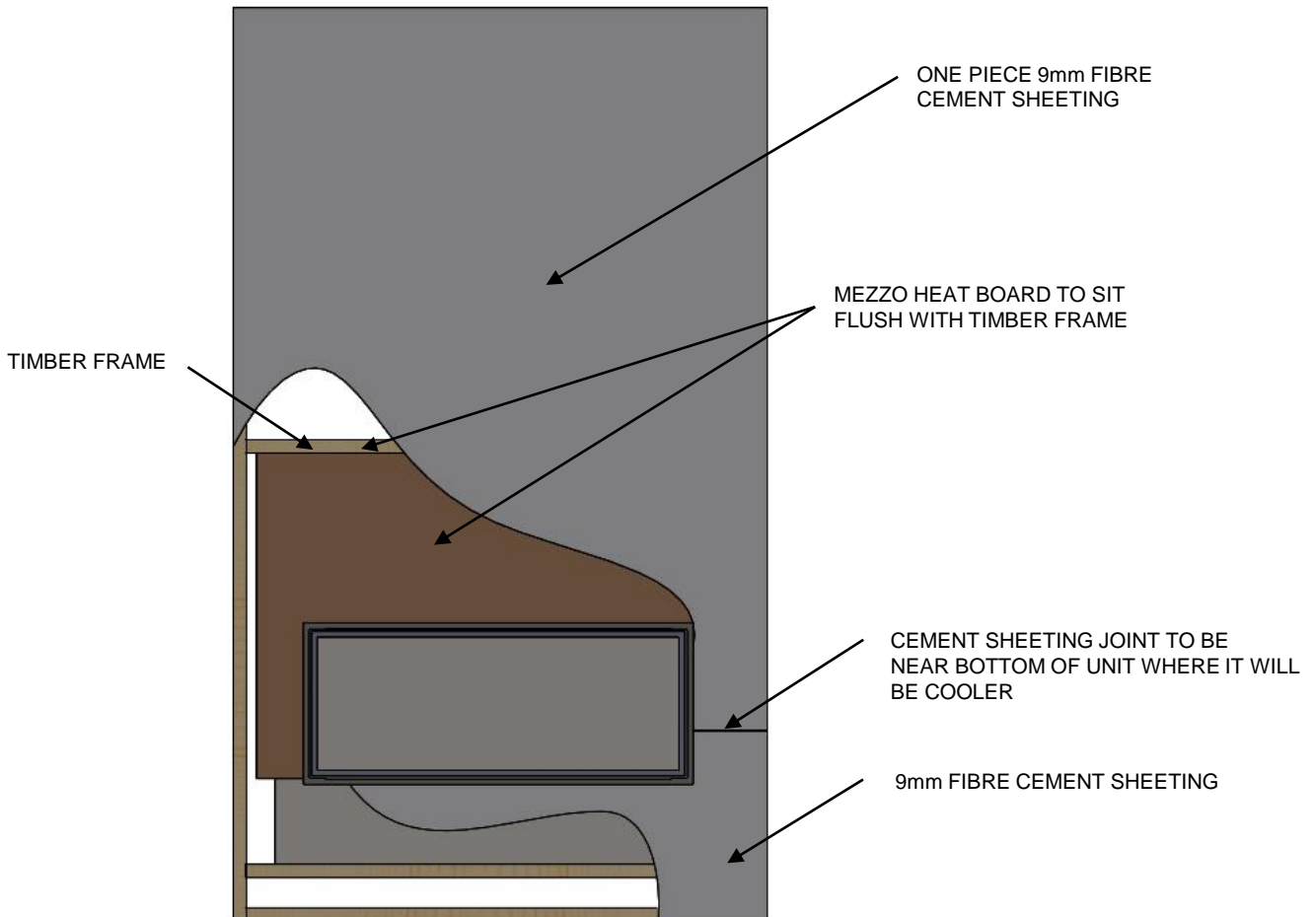
AUSTRALIAN RECOMMENDED MEZZO INSTALLATION INSTRUCTION

FOR MODELS:
MEZZO-1000-AU
MEZZO-1300-AU
MEZZO-1300ST-AU
MEZZO-1600-AU

Note: If the module is in LOCK OUT mode, resetting the circuit breaker to the appliance will also reset the module

Note: For units installed in Australia, the residence's 220/240 wall outlet to which this appliance's power cord is connected, must be wired to an in-line on/off switch. This is required for servicing and/or resetting the control module in the event of a control module LOCK-OUT.

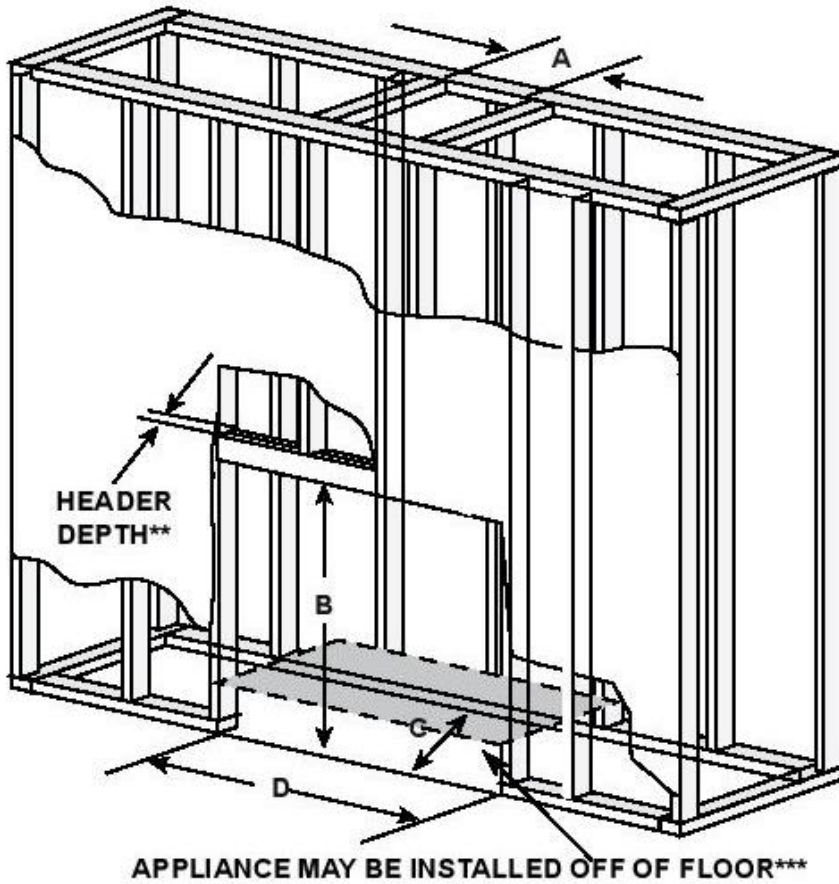
MEZZO FIBRE CEMENT SHEETING INSTALLATION INSTRUCTION



IMPORTANT:

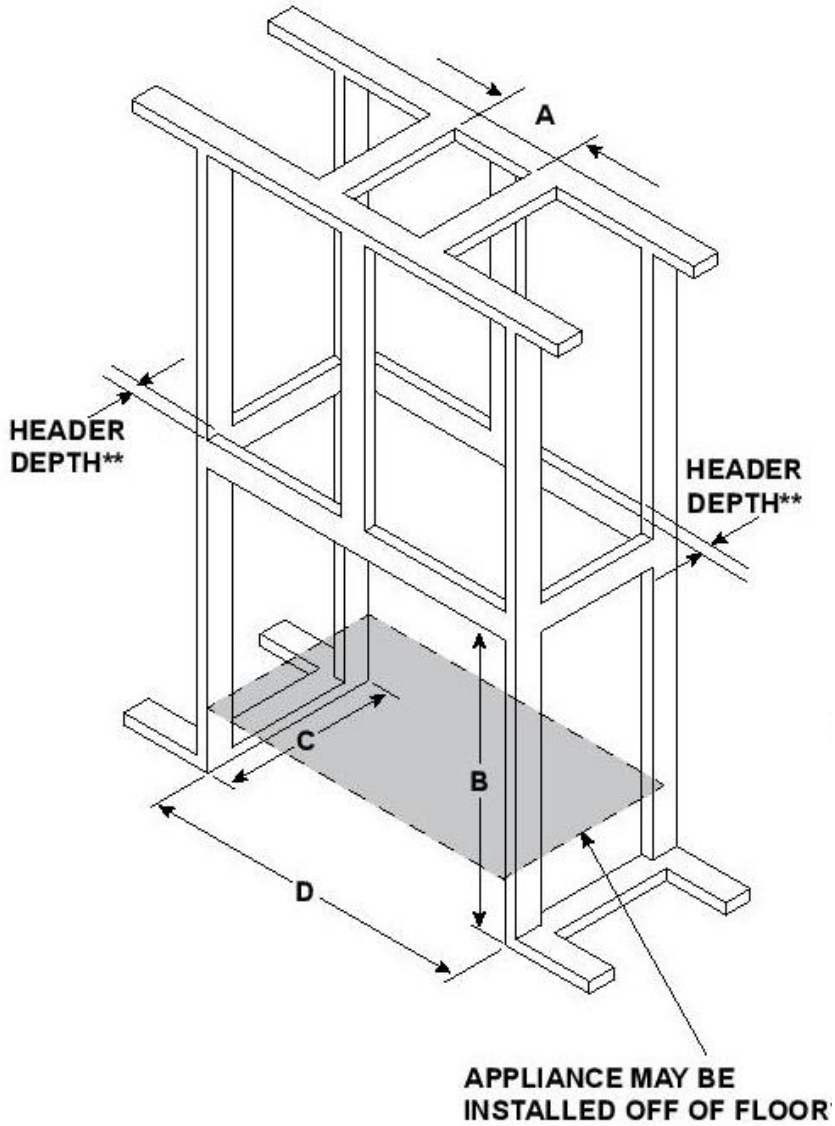
- Wall lining is to be fixed to timber frame only
- At no point is the wall lining to be screwed or glued to the unit.
- The unit must be able to expand and contract independently to the frame and wall lining, otherwise cracking will occur.
- Unit and heat board is to finish flush with front of timber frame so that 9mm wall lining can be correctly finished
- If the fibre cement sheeting is to be fixed to the heat board, **Selleys 401 silicone** must be used to allow for expansion.

MEZZO AUSTRALIAN FRAMING DIMENSIONS



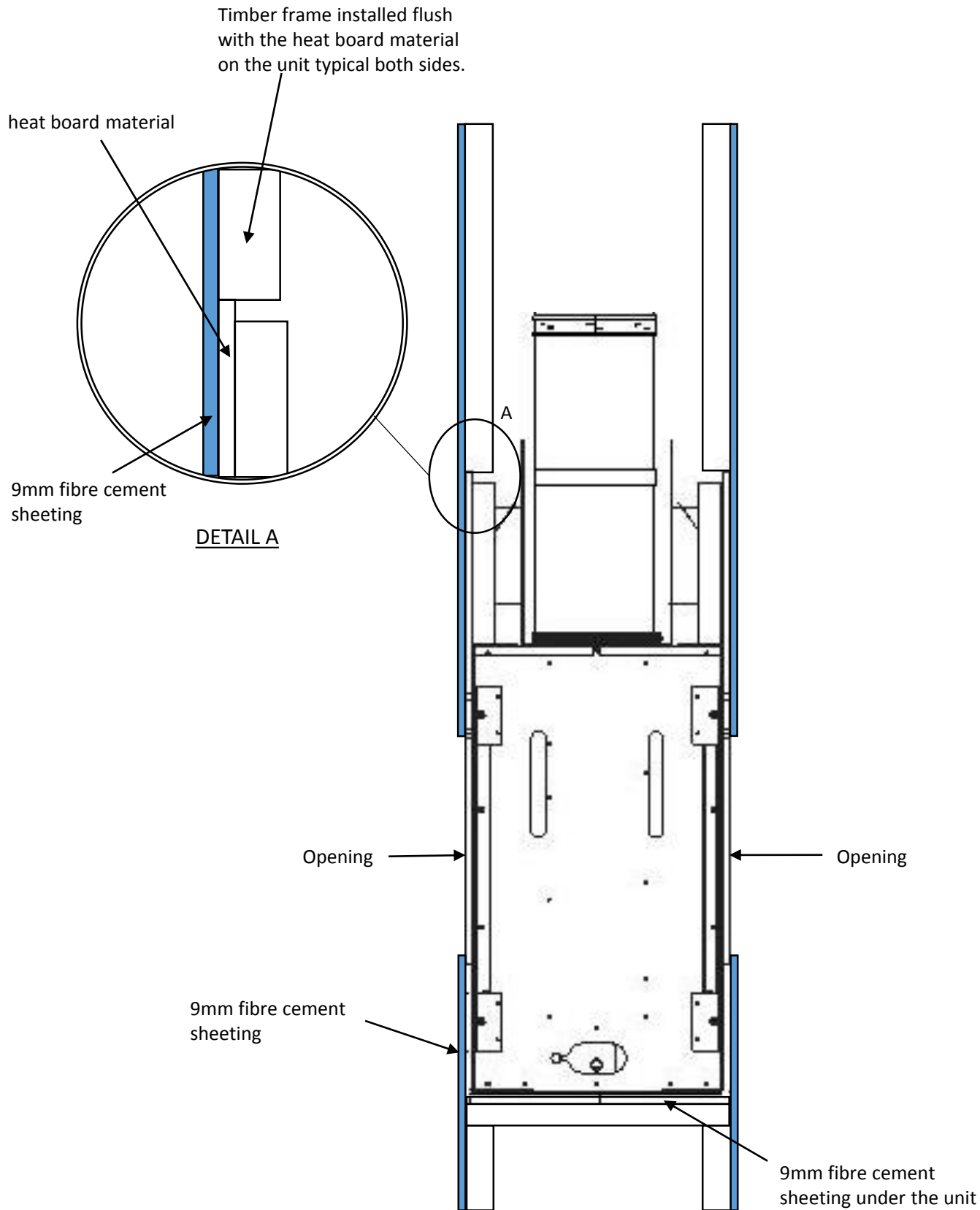
MEZZO FRAMING DIMENSIONS				
Variant	Vent opening (A)	Opening height (B)	Opening depth (C)	Opening width (D)
MEZZO-1000-AU	254	1085	477	1275
MEZZO-1300-AU	254	1085	477	1580
MEZZO-1600-AU	254	1237	478	1885

MEZZO SEE THROUGH AUSTRALIAN FRAMING DIMENSIONS



MEZZO SEE THROUGH FRAMING DIMENSIONS				
Variant	Vent opening	Opening height	Opening depth	Opening width
MEZZO-1300ST-AU	254	1085	464	1580

MEZZO SEE-THROUGH AUSTRALIAN SHEETING ATTACHMENT DETAIL



MEZZO AUSTRALIAN SHEETING ATTACHMENT DETAIL

Timber frame installed flush with the heat board material on the unit this side only.

heat board material

9mm fibre cement sheeting

DETAIL A

Opening

25mm air gap from rear of unit to timber framing with fibre cement sheeting.

9mm fibre cement sheeting under the unit

